

# RELAX

## 570 RS

### Woofer

- Sensitivity 94 dB
- Max power 120 W / Nom. power 60 W
- Frequency response 75 Hz - 20 kHz
- Impedance 2 Ohms

Guy Bonneville

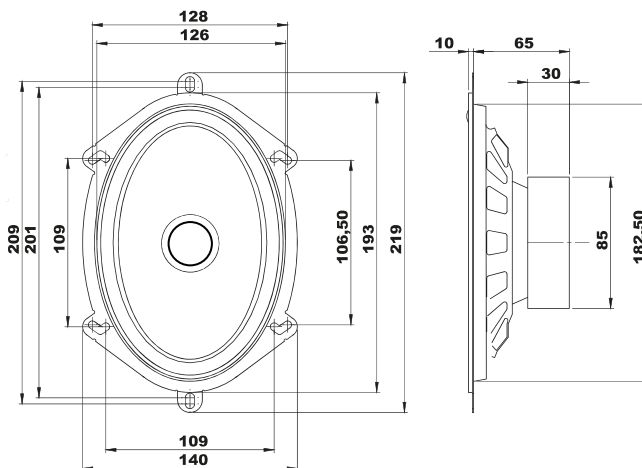
# BLAM

DRIVEN BY PASSION

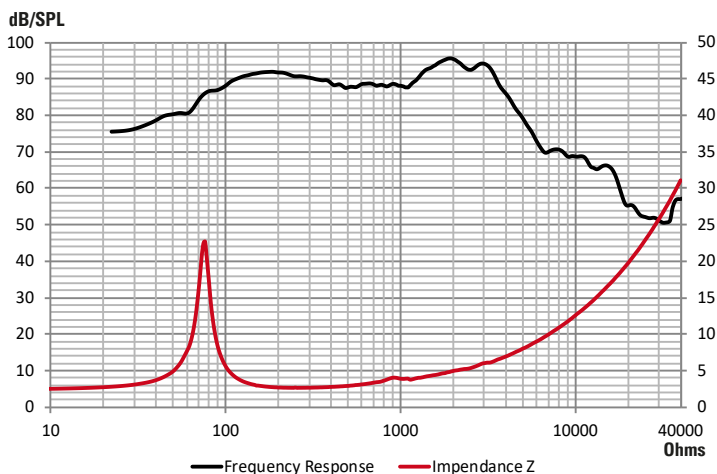


#### TECHNICAL SPECIFICATIONS

<b>Component</b>	Speakers	
<b>Max power</b>	120 W	
<b>Nominal power</b>	60 W	
<b>Impedance</b>	2 Ω	
<b>Freq. Response</b>	75 Hz - 20 KHz	
<b>Sensitivity (2,83V/1m)</b>	94 dB	
<b>Magnet</b>	Ferrite	
<b>Magnet size Ø x h</b>	85 x 17 mm	3,35" x 0,67"
<b>Total driver displacement</b>	0,2 l	0,007 cf
<b>Weight of one component</b>	1 kg	2,227 lb
<b>Voice coil Ø</b>	25 mm	0,984"
<b>Voice coil height</b>	11 mm	0,433"
<b>Cone</b>	Coated cellulose pulp	



#### FREQUENCY RESPONSE / IMPEDANCE



#### THIELE-SMALL PARAMETERS

<b>effective Ø (d)</b>	135,5 mm
<b>Sd</b>	144,20 cm <sup>2</sup>
<b>Xmax</b>	3 mm
<b>Re</b>	2,4 Ω
<b>Fs</b>	73,81 Hz
<b>Le</b>	95,89 µH @ 1 kHz
<b>Le</b>	196,90 µH @10 kHz
<b>Vas</b>	11,36 L
<b>Mms</b>	11,95 g
<b>Cms</b>	0,000389 m/N
<b>BL</b>	4,10 Tm
<b>Qts</b>	0,72
<b>Qes</b>	0,79
<b>Qms</b>	7,45
<b>Sensitivity (dB/W/m)</b>	89,5 dB

contact@blam-audio.fr

www.facebook.com/blamaudio

www.blam-audio.fr