

# RELAX



Driven by passion.

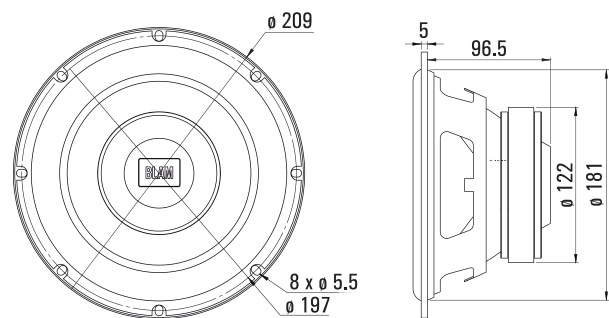
## R8 EL 2Ω

### Subwoofer

**2 ohms 210 mm (8") subwoofer for compact enclosure**  
**Power Max 300 W**

- 210 mm (8") subwoofer for compact enclosure
- Maximum power: 300 W / Nominal Power 150 W
- Frequency response 45 Hz - 500 Hz
- Impedance 2 Ohms

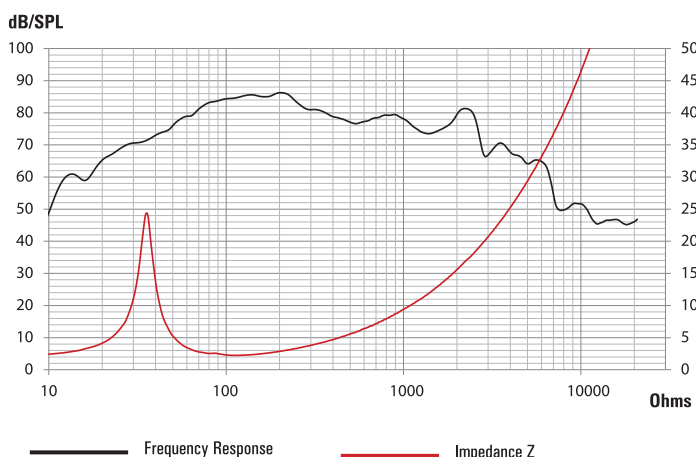
Steel basket with machined gasket - Rigid treated pulp cone - Butyl rubber surround - Long life "Nonex" spider - 40mm voice coil, on fiber glass former - 120 mm x 20 mm motor assembly - Machined extended T yoke - Optimized for use in a 10 to 13 liter bass reflex enclosure - Grille included



#### TECHNICAL SPECIFICATIONS

Component	Subwoofer	
Max power	300 W	
Nominal power	150 W	
Impedance	2 Ω	
Freq. Response	45 - 500 Hz	
Sensitivity (2,83V/1m)	90,6 dB	
Magnet	Ferrite	
Magnet size Ø x h	120 x 20 mm	4,724 "x 0,787"
Total driver displacement	0,5 l	0,018 cf
Weight of one component	2,3 kg	5,071 lb
Voice coil Ø	40 mm	1,575"
Voice coil height	22 mm	0,866"
Cone	Rigid treated paper	

#### FREQUENCY RESPONSE / IMPEDANCE



#### THIELE-SMALL PARAMETERS

effective Ø (d)	165 mm
Sd	213,82 cm <sup>2</sup>
Xmax	8 mm
Re	2 Ω
Fs	40.28 Hz
Le	151 µH @ 1 kHz
L2	69 µH @ 10 kHz
Vas	17.75 L
Mms	56.14 g
Cms	0.278 mm/N
BL	7.10 Tm
Qts	0.53
Qes	0.56
Qms	10.23
Sensitivity (dB/W/m)	84.6 dB

#### RECOMMENDED ENCLOSURES

Internal volume Vb	Internal ø port	Length port	Fb	F-3dB	Boost
10	7 cm	46 cm	47 Hz	46 Hz	4,0 dB at 73 Hz
15	7 cm	35 cm	44 Hz	39 Hz	3,5 dB at 61 Hz
25	7 cm	30 cm	40 Hz	35 Hz	3,0 dB at 53 Hz

contact@blam-audio.fr  
www.facebook.com/blamaudio  
www.blam-audio.fr