

Signature



Driven by passion.

S 6.100

HIGH POWER WOOFER

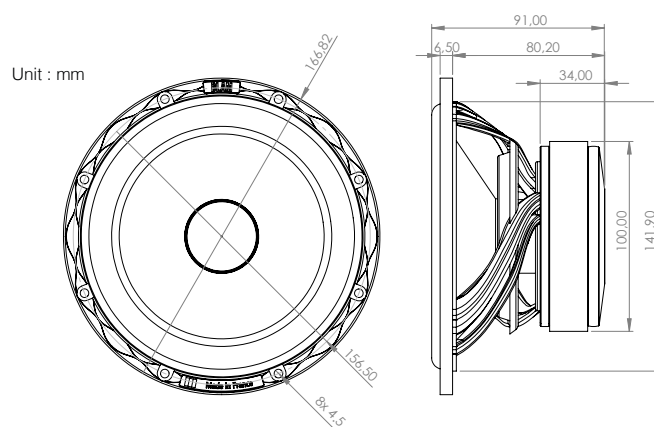
- Woofer 6-1/2" (165 mm)
- Max power 250 W / Nom. power 125 W
- Frequency response 60 Hz - 5 kHz
- Impedance 2 Ω

Die cast aluminium basket - Ultra rigid carbon fiber cone - NBR surround - Long life "Conex" spider - 38 mm (1.5") voice-coil on fiberglass former - Oversized 100 mm x 20 mm magnetic motor - Machined aluminium phase plug - Gold-plated terminal

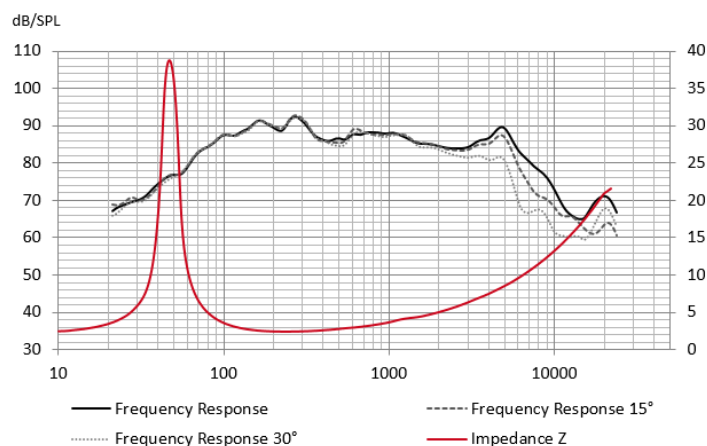


TECHNICAL SPECIFICATIONS

| | | |
|----------------------------------|---------------|------------------|
| Component | Woofer | |
| Max power | 250 W | |
| Nominal power | 125 W | |
| Impedance | 2 Ω | |
| Freq. Response | 60 Hz - 5 KHz | |
| Sensitivity (2,83V/1m) | 93,9 dB | |
| Magnet | Ferrite | |
| Magnet size Ø x h | 100 x 20 mm | 3,937 "x 0,787 " |
| Total driver displacement | 0,3 l | 0,011 cf |
| Weight of one component | 1,037 kg | 2,286 lb |
| Voice coil Ø | 38 mm | 1,496" |
| Voice coil height | 17 mm | 0,669" |
| Cone | Carbon fiber | |



FREQUENCY RESPONSE / IMPEDANCE



THIELE-SMALL PARAMETERS

| | |
|-----------------------------|------------------------|
| effective Ø (d) | 128 mm |
| Sd | 128,68 cm ² |
| Xmax | 6 mm |
| Re | 2,1 Ω |
| Fs | 49.61 Hz |
| Le | 320 5 μH @ 1 kHz |
| Le | 170 μH @ 10 kHz |
| Vas | 17.15 L |
| Mms | 15.06 g |
| Cms | 0.7418 m/N |
| BL | 4,54 Tm |
| Qts | 0,44 |
| Qes | 0,46 |
| Q0ms | 12.91 |
| Sensitivity (dB/W/m) | 88.08 dB |