

## SR165 F

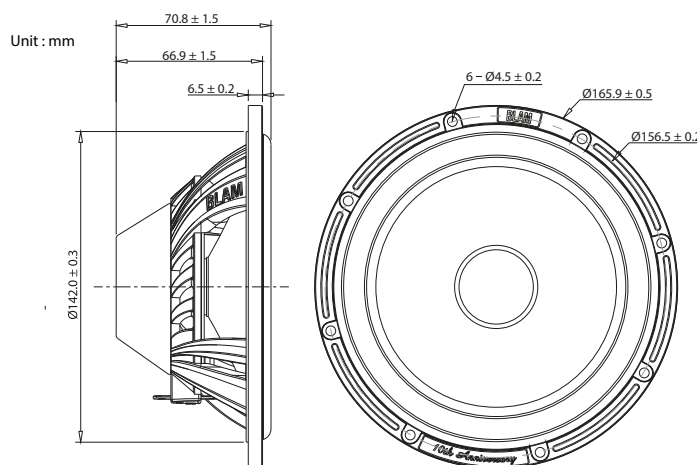
### Woofer

- Woofer 6-1/2" (165 mm)
- Max power 150 W / Nom. power 75 W
- Frequency response 60 Hz - 8 KHz
- Sensitivity 91 dB
- Impedance 3 Ohms

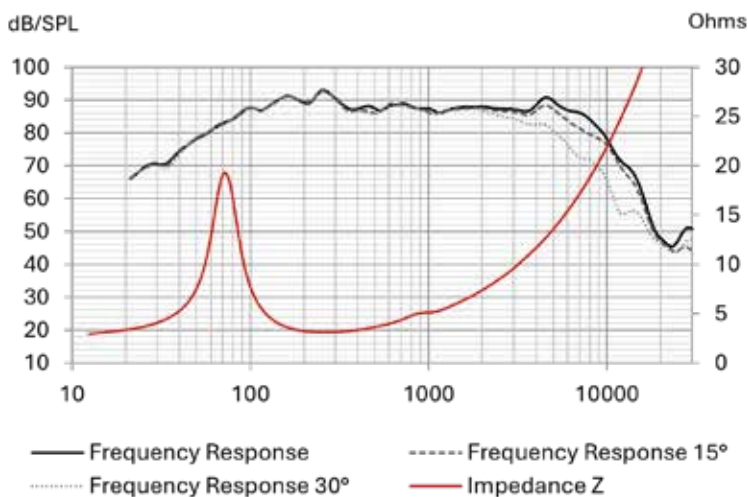


#### TECHNICAL SPECIFICATIONS

Component	Speakers	
Max power	150 W	
Nominal power	75 W	
Impedance	3 Ω	
Freq. Response	60 Hz - 8 KHz	
Sensitivity (2,83V/1m)	91 dB	
Magnet	Neodymium	
Magnet size Ø x h	24.5 x 6 mm	0.965" x 0.236"
Total driver displacement	0,11 l	0.004 cf
Weight of one component	1.04 kg	2.286 lb
Voice coil Ø	25 mm	0.984"
Voice coil height	12 mm	0.472"
Cone	Fiberglass	



#### FREQUENCY RESPONSE/ IMPEDANCE



#### THIELE-SMALL PARAMETERS

effective Ø (d)	115.2 mm
Sd	132.73 cm <sup>2</sup>
Xmax	2.8 mm
Re	2.80 Ω
Fs	52.73 Hz
Le	300 µH @ 1 kHz
L2	140 µH @ 10 kHz
Vas	15.1 L
Mms	14.85 g
Cms	0.000613 m/N
BL	4.23 Tm
Qts	0.60
Qes	0.77
Qms	2.66
Sensitivity (dB/W/m)	86.6 dB