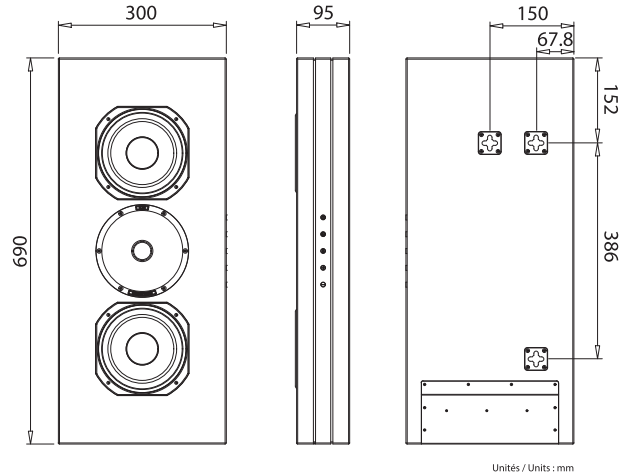


ORCHESTRA

DOUBLE SIDE
Passive

Large 2-way high fidelity wall speaker



High-performance
basalt composite
membrane



Sound immersion
even in large rooms



Can be used as a
main speaker or
effects speaker

Drivers	1 x 30 mm (1") horn tweeter 1 x 165 mm (6.5") woofer
Maximum permissible power	200 W
Maximum permissible power	50 - 200 W
Inputs	Push-button terminal block
Enclosure type	Closed enclosure
Frequency response (+/- 3 dB)	50 Hz - 25 kHz
Sensibility	91 dB/W/m
Nominal impedance	4 Ohms
Dimensions	690 x 300 x 105 mm (with front grille)
Weight	8 Kg
Colors	<input type="button" value="Glossy white"/> <input checked="" type="button" value="Matt black"/>

BLAM

Designed in France by BLAM
www.blam-audio.com
contact@blam-audio.fr