

POWER

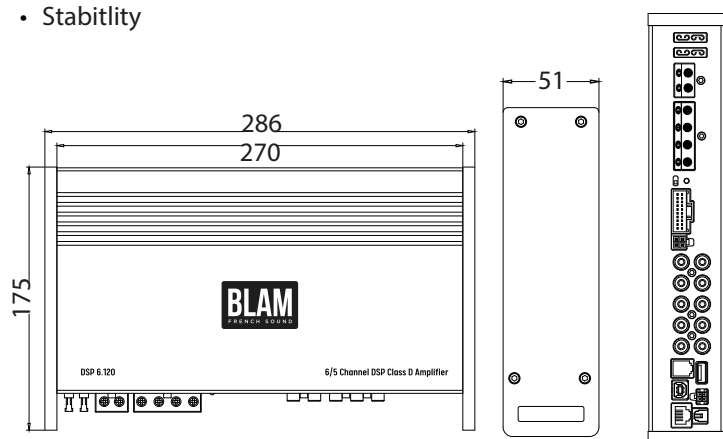


Driven by passion.

DSP 6.120

6.120 6-CHANNEL DSP AMPLIFIER, 6 HIGH-LEVEL INPUTS, 8 PRE-AMPLIFIED OUTPUTS WITH INTEGRATED DSP AND WIRELESS RECEPTION

- Powerfull
- Sound quality
- Stabilitly



TECHNICAL FEATURE

- Maximum power: 6 x 150 Watts
- Power (4 Ohm): 6 x 75 Watts RMS
- Power (2 Ohm): 6 x 120 Watts RMS
- Channels 5 and 6 bridged to power a subwoofer: Power (4 ohm) 200 Watts RMS
- 6 high-level inputs
- 2 low level RCA inputs
- 8 RCA low level outputs
- Frequency response: 20 Hz – 20 kHz
- Distortion: 0.1%
- Signal-to-noise ratio: 100 dB
- Standby current < 0.4 mA
- Maximum current consumption 30 A
- Dimensions: 286 x 175 x 51 mm

Supplied accessories :

- Remote control
- User manual
- USB cable for computer

Optional accessory :

- Optional Plug & Play cable for installation in all vehicles without cutting the original wiring harness – optional

DSP FEATURES

- Control of DSP settings via the smartphone app connected via BT.
- Audio streaming with the included BT receiver.
- Adjustable time alignment from 0 to 20 ms for each speaker and phase adjustment
- 15-band independent parametric and graphic equalizer for the 8 output channels
- Fully adjustable 6-48 dB/octave Linkwitz, Riley, Butterworth & Bessel filter on all outputs
- 8 favorite settings that can be stored in the amplifier
- 8 RCA outputs for connecting additional amplifiers (configurable to drive subwoofers)
- Input noise attenuation treatment

contact@blam-audio.fr
www.facebook.com/blamaudio
www.blam-audio.com