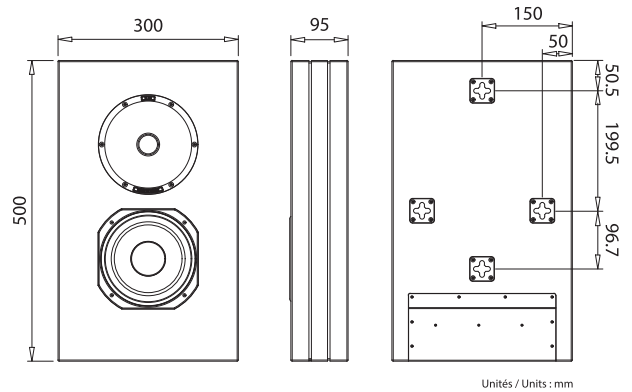


ORCHESTRA

SIDE
Passive

High fidelity 2-way wall speaker



High-performance
basalt composite
membrane



Easy integration
even in small
interiors



Can be used as a
main speaker or
effects speaker

Drivers	1 x 30 mm (1") horn tweeter 1 x 165 mm (6.5") woofer
Maximum permissible power	100 W
Maximum permissible power	50 - 100 W
Inputs	Push-button terminal block
Enclosure type	Closed enclosure
Frequency response (+/- 3 dB)	60 Hz - 25 kHz
Sensibility	88 dB/W/m
Nominal impedance	4 Ohms
Dimensions	500 x 300 x 105 mm (with front grille)
Weight	5,5 Kg
Couloors	<input type="button" value="Glossy white"/> <input type="button" value="Matt black"/>

BLAM

Designed in France by BLAM
www.blam-audio.com
contact@blam-audio.fr