

# RELAX

Guy Bonneville

# BLAM

DRIVEN BY PASSION

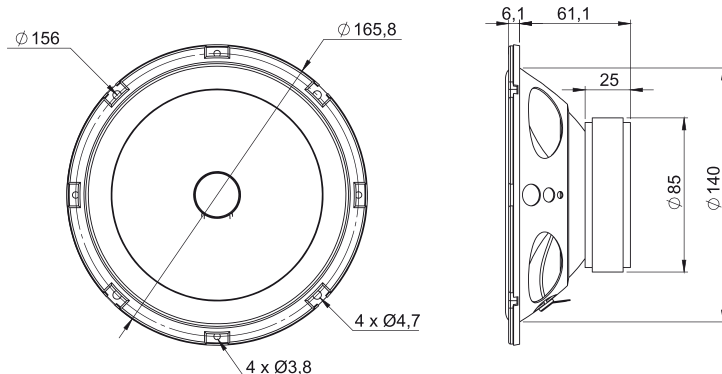
## 165 RS/RX

Woofer

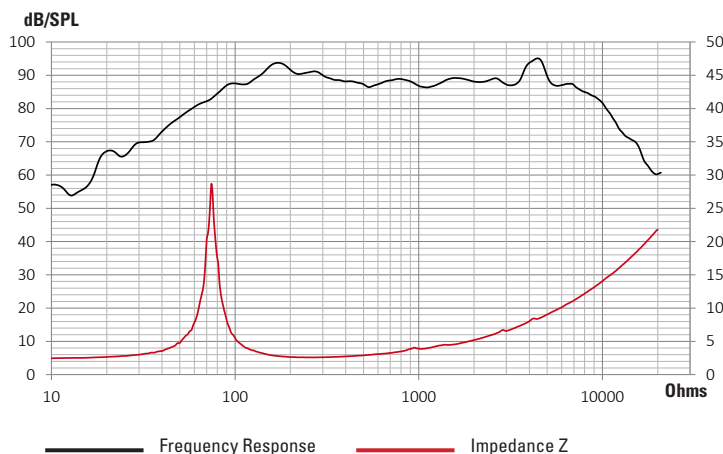
- Woofer 6-1/2 " (165 mm)
- Max power 150 W / Nom. power 75 W
- Frequency response 60 Hz - 8 KHz
- Sensibility 93 dB - Impedance 2 Ohms

### TECHNICAL SPECIFICATIONS

Component	Speakers	
Max power	150 W	
Nominal power	75 W	
Impedance	2 Ω	
Freq. Response	60 Hz -8 KHz	
Sensitivity	93 dB/SPL	
Magnet	Ferrite	
Magnet size Ø x h	85 x 17 mm	3,35" x 0,67"
Total driver displacement	0,2 l	0,007 cf
Weight of one component	1 kg	2,205 lb
Voice coil Ø	25 mm	0,984"
Voice coil height	11 mm	0,433"
Cone	Carbone fiber	



### FREQUENCY RESPONSE / IMPEDANCE



### THIELE-SMALL PARAMETERS

effective Ø (d)	130 mm
Sd	132,73 cm <sup>2</sup>
Xmax	3 mm
Re	2,4 Ω
Fs	74,25 Hz
Le	128,41 µH @ 1 kHz
Le	248,29 µH @10 kHz
Vas	11,85 L
Mms	9,60 g
Cms	0,000479 m/N
BL	3,64 Tm
Qts	0,74
Qes	0,81
Qms	8,86
Spl	94,5 dB

# RELAX

## RT 20

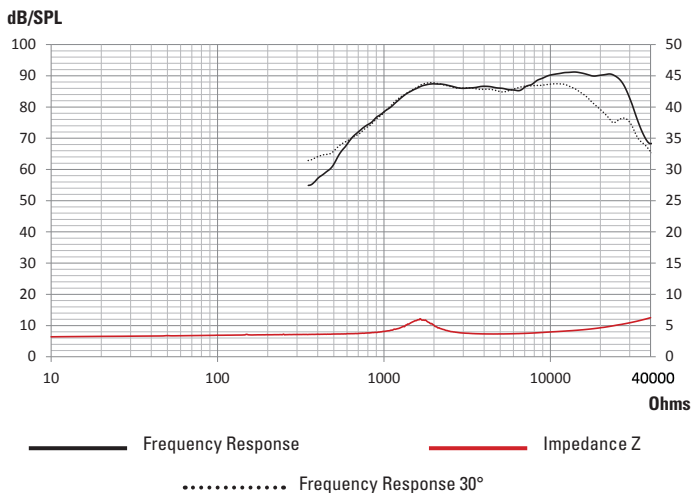
Tweeter

- Hi fidelity 20 mm soft dôme tweeter
- Hi efficiency magnet (N38H neodymium)
- Hi quality special soft dôme material
- Ferrofluid for hi power handling

### TECHNICAL SPECIFICATIONS

Component	Tweeter	
Max power	100 W	
Nominal power	10 W	
Impedance	3 Ω	
Freq. Response	2,5 KHz - 25 KHz	
Sensitivity (2,83V/1m)	90 dB	
Magnet	Neodymium	
Magnet size Ø x h	18 x 3 mm	0,709" x 0,118"
Total driver displacement	-	-
Weight of one component	0,045 kg	0,099 lb
Voice coil Ø	20 mm	0,787"
Voice coil height	2 mm	0,118"
Cone	Soft	

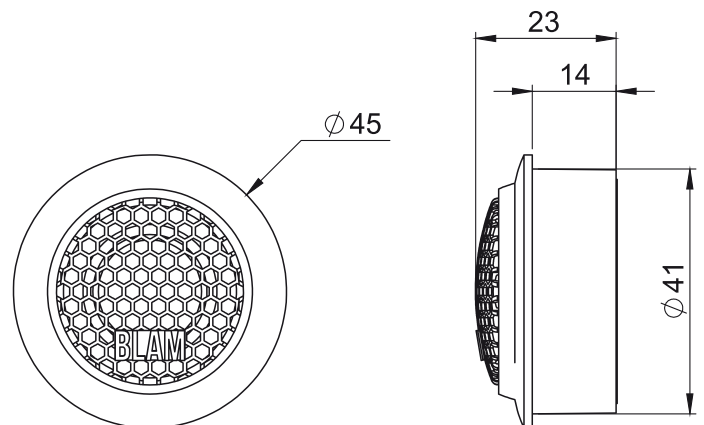
### FREQUENCY RESPONSE / IMPEDANCE



Guy Bonneville

# BLAM

DRIVEN BY PASSION



### THIELE-SMALL PARAMETERS

effective Ø (d)	22 mm
Sd	3,80 cm <sup>2</sup>
Xmax	-
Re	3 Ω
Fs	1651 Hz
Le	-
L2	-
Vas	-
Mms	-
Cms	-
BL	-
Qts	-
Qes	-
Qms	-
Sensitivity (dB/W/m)	86,7 dB

contact@blam-audio.fr  
www.facebook.com/blamaudio  
www.blam-audio.fr