

RELAX

570 RC

Woofer

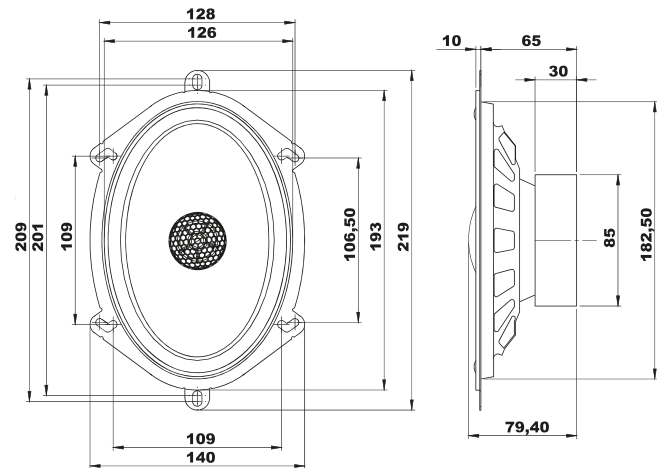
- Sensitivity 94dB
- Max power 120 W / Nom. power 60 W
- Frequency response 75 Hz - 20 KHz
- Impedance 2 Ohms
- Integrated 6 dB/oct cross-over

Guy Bonneville
BLAM
DRIVEN BY PASSION

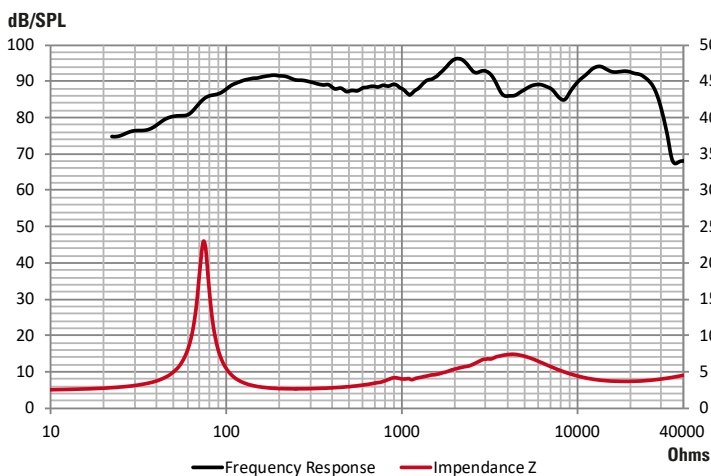


TECHNICAL SPECIFICATIONS

Component	Speakers	
Max power	120 W	
Nominal power	60 W	
Impedance	2 Ω	
Freq. Response	75 Hz - 20 KHz	
Sensitivity (2,83V/1m)	94 dB	
Magnet	Ferrite	
Magnet size Ø x h	85 x 17 mm	3,35" x 0,67"
Total driver displacement	0,2 l	0,007 cf
Weight of one component	1,03 kg	2,271 lb
Voice coil Ø	25 mm	0,984"
Voice coil height	11 mm	0,433"
Cone	Coated cellulose pulp	



FREQUENCY RESPONSE / IMPEDANCE



THIELE-SMALL PARAMETERS

effective Ø (d)	135,5 mm
Sd	144,20 cm ²
Xmax	3 mm
Re	2,4 Ω
Fs	73,81 Hz
Le	95,89 µH @ 1 kHz
Le	196,90 µH @10 kHz
Vas	11,36 L
Mms	11,95 g
Cms	0,000389 m/N
BL	4,10 Tm
Qts	0,72
Qes	0,79
Qms	7,45
Sensitivity (dB/W/m)	89,5 dB