

Signature

Guy Bonneville

BLAM
DRIVEN BY PASSION

WS 6.85

High fidelity woofer

- Woofer 6-1/2" (165 mm)
- Max power 200 W / Nom. power 100 W
- Frequency response 45 Hz - 5 KHz
- Impedance 3 Ohms

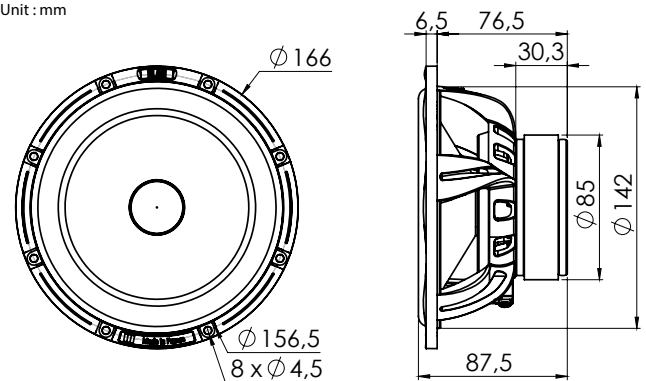
Die cast aluminium basket - Ultra rigid carbon fiber cone - NBR surround - Long life « conex » spider - 34 mm Voice Coil, fiber glass former - 85 mm x 20 mm Oversized Magnetic motor - Machined pole pieces - Gold-plated terminal.



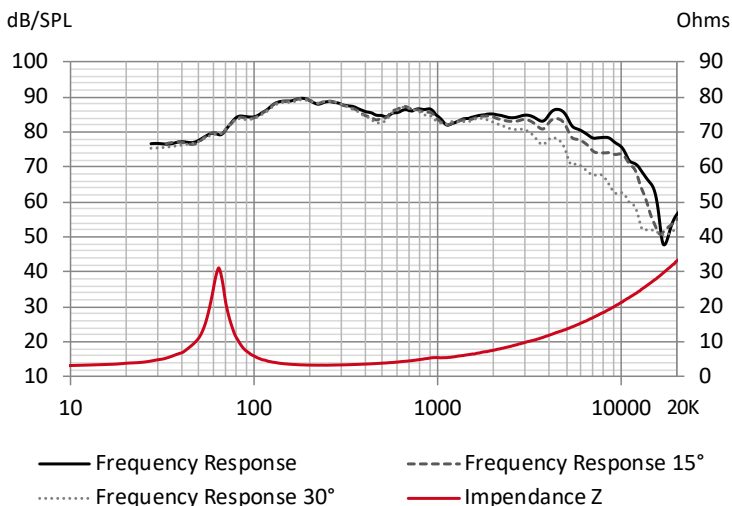
TECHNICAL SPECIFICATIONS

Component	Woofer	
Max power	200 W	
Nominal power	100 W	
Impedance	3 Ω	
Freq. Response	45 Hz - 5 KHz	
Sensitivity (2,83V/1m)	91,7 dB	
Magnet	Ferrite	
Magnet size Ø x h	85 x 20 mm	3,35" x 0,79"
Total driver displacement	0,3 l	0,011 cf
Weight of one component	1,25 kg	2,756 lb
Voice coil Ø	32 mm	1,260"
Voice coil height	15 mm	0,591"
Cone	Carbon fiber	

Unit : mm



FREQUENCY RESPONSE / IMPEDANCE



THIELE-SMALL PARAMETERS

effective Ø (d)	128 mm
Sd	128,68 cm ²
Xmax	5 mm
Re	3,1 Ω
Fs	64,31 Hz
Le	156,81 µH @ 1 kHz
Le	395,30 µH @10 kHz
Vas	9,78 L
Mms	14,56 g
Cms	0,000421 m/N
BL	5,42 Tm
Qts	0,59
Qes	0,66
Qms	5,44
Sensitivity (dB/W/m)	87,6 dB

TS 25HR

High resolution tweeter

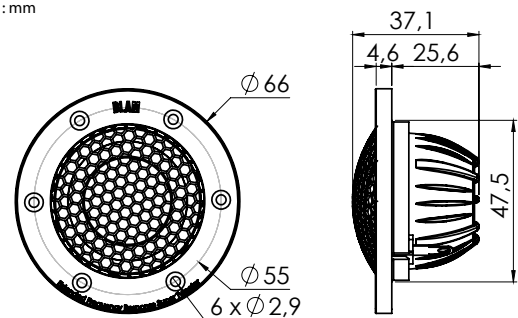
- 4 ohm, Neo magnet
- 25mm (1") textile dome diaphragm
- High efficiency magnet (N38H neodymium)
- Precision machined aluminum front plate
- Low resonance rear chamber
- Large roll surround f. wide dispersion
- Sound transparent protective grill



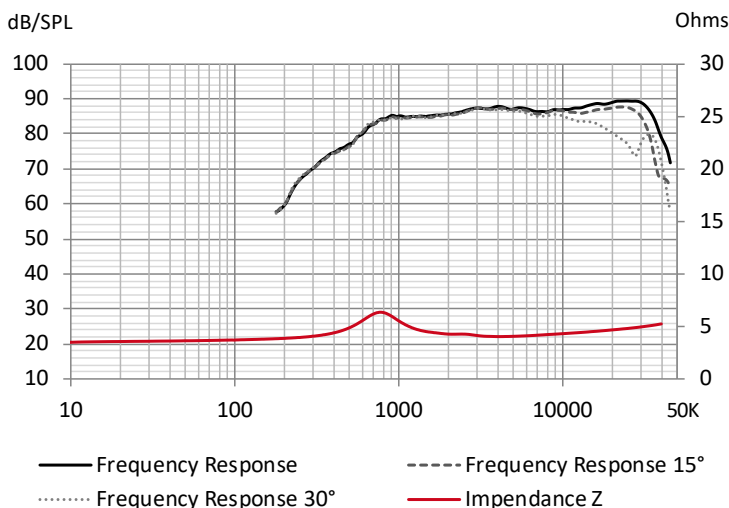
TECHNICAL SPECIFICATIONS

Component	Tweeter	
Max power	100 W	
Nominal power	15 W	
Impedance	4 Ω	
Freq. Response	1,5 KHz - 40 KHz	
Sensitivity (2,83V/1m)	90,1 dB	
Magnet	Neodymium	
Magnet size Ø x h	24 x 3 mm	0,945" x 0,118"
Total driver displacement	-	-
Weight of one component	0,09 kg	0,198 lb
Voice coil Ø	25 mm	0,984"
Voice coil height	1,8 mm	0,071"
Cone	Soft	

Unit : mm



FREQUENCY RESPONSE / IMPEDANCE



THIELE-SMALL PARAMETERS

effective Ø (d)	32 mm
Sd	8,04 cm ²
Xmax	-
Re	3,6 Ω
Fs	785,24 Hz
Le	-
L2	-
Vas	-
Mms	-
Cms	-
BL	-
Qts	-
Qes	-
Qms	-
Sensitivity (dB/W/m)	86,6 dB