

## WS 6.45

### High fidelity woofer

- Shallow 6-1/2" (165 mm) woofer
- Max power 150 W / Nom. power 75 W
- Frequency response 55 Hz - 5 KHz
- Impedance 3 Ohms

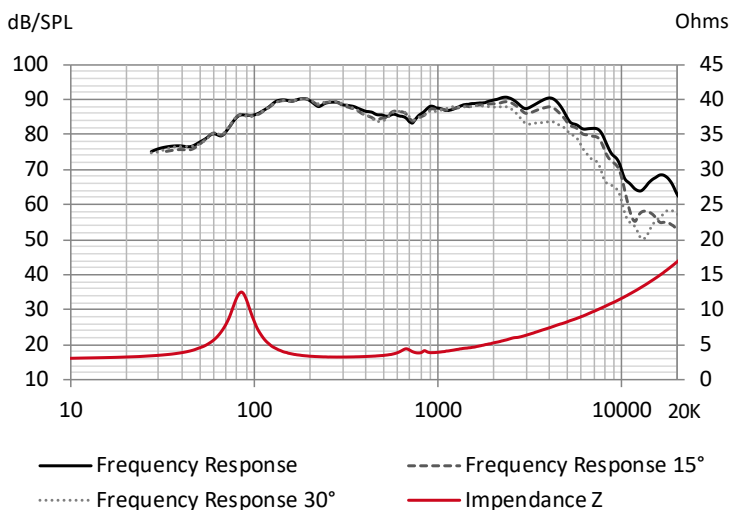
Die cast aluminum basket - Ultra rigid carbon fiber cone with circular grooves to strengthen the cone - IIR surround - Long life « conex » spider - 34 mm Voice Coil, fiber glass former - High grade neodymium magnet, precision machined pole piece and T yoke



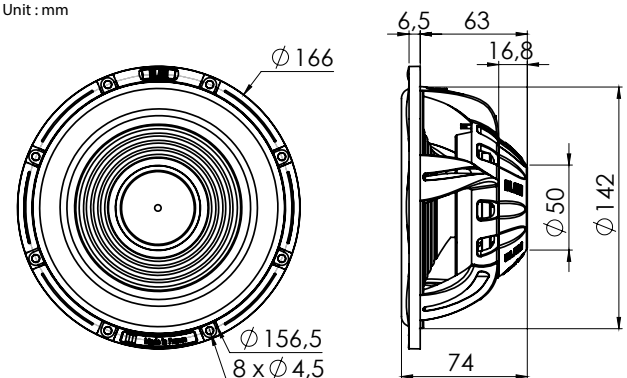
#### TECHNICAL SPECIFICATIONS

<b>Component</b>	Woofer	
<b>Max power</b>	150 W	
<b>Nominal power</b>	75 W	
<b>Impedance</b>	3 Ω	
<b>Freq. Response</b>	55 Hz - 5 KHz	
<b>Sensitivity (2,83V/1m)</b>	91,1 dB	
<b>Magnet</b>	Neodymium	
<b>Magnet size Ø x h</b>	24 x 10 mm	0,945" x 0,394"
<b>Total driver displacement</b>	0,3 l	0,011 cf
<b>Weight of one component</b>	1,25 kg	2,756 lb
<b>Voice coil Ø</b>	32 mm	1,260"
<b>Voice coil height</b>	12 mm	0,472"
<b>Cone</b>	Carbon fiber	

#### FREQUENCY RESPONSE / IMPEDANCE



Unit : mm



#### THIELE-SMALL PARAMETERS

<b>effective Ø (d)</b>	128 mm
<b>Sd</b>	128,68 cm <sup>2</sup>
<b>Xmax</b>	4 mm
<b>Re</b>	3,1 Ω
<b>Fs</b>	84,23 Hz
<b>Le</b>	82,77 µH @1 kHz
<b>L2</b>	237,68 µH @10 kHz
<b>Vas</b>	6,71 L
<b>Mms</b>	12,37 g
<b>Cms</b>	0,000289 m/N
<b>BL</b>	4,14 Tm
<b>Qts</b>	0,91
<b>Qes</b>	1,22
<b>Qms</b>	3,57
<b>Sensitivity (dB/W/m)</b>	87 dB

# Signature

Guy Bonneville

# BLAM

DRIVEN BY PASSION

## TS 20HR

### High resolution tweeter

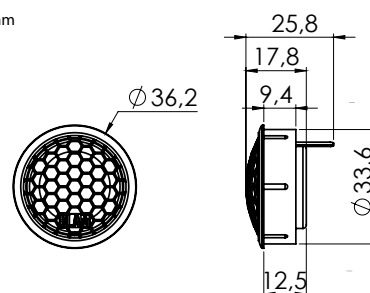
- 5 ohm, Neo magnet
- 20 mm (3/4") textile dome diaphragm
- Compact mounting dimensions
- High efficiency magnet (N38H neodymium)
- Ferrofluid for high power handling



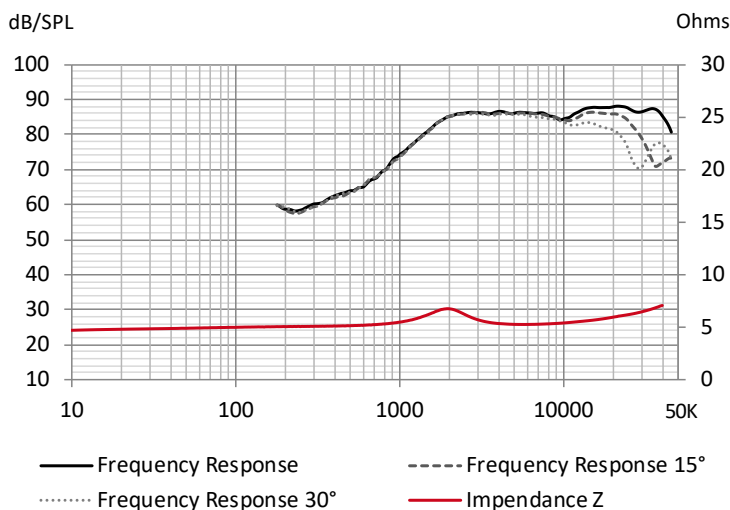
#### TECHNICAL SPECIFICATIONS

<b>Component</b>	Tweeter	
<b>Max power</b>	100 W	
<b>Nominal power</b>	10 W	
<b>Impedance</b>	5 Ω	
<b>Freq. Response</b>	2,5 KHz - 40 KHz	
<b>Sensitivity (2,83V/1m)</b>	88,3 dB	
<b>Magnet</b>	Neodymium	
<b>Magnet size Ø x h</b>	18 x 4 mm	0,709" x 0,157"
<b>Total driver displacement</b>	-	
<b>Weight of one component</b>	0,03 kg	0,066 lb
<b>Voice coil Ø</b>	20 mm	0,787"
<b>Voice coil height</b>	1,3 mm	0,051"
<b>Cone</b>	Soft	

Unit : mm



#### FREQUENCY RESPONSE / IMPEDANCE



#### THIELE-SMALL PARAMETERS

<b>effective Ø (d)</b>	32 mm
<b>Sd</b>	8,04 cm <sup>2</sup>
<b>Xmax</b>	-
<b>Re</b>	5 Ω
<b>Fs</b>	1972,85Hz
<b>Le</b>	-
<b>L2</b>	-
<b>Vas</b>	-
<b>Mms</b>	-
<b>Cms</b>	-
<b>BL</b>	-
<b>Qts</b>	-
<b>Qes</b>	-
<b>Qms</b>	-
<b>Sensitivity (dB/W/m)</b>	86,3 dB

contact@blam-audio.fr

www.facebook.com/blamaudio

www.blam-audio.com